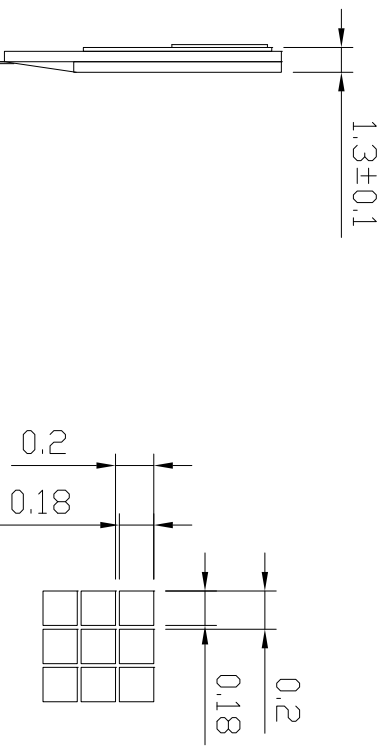
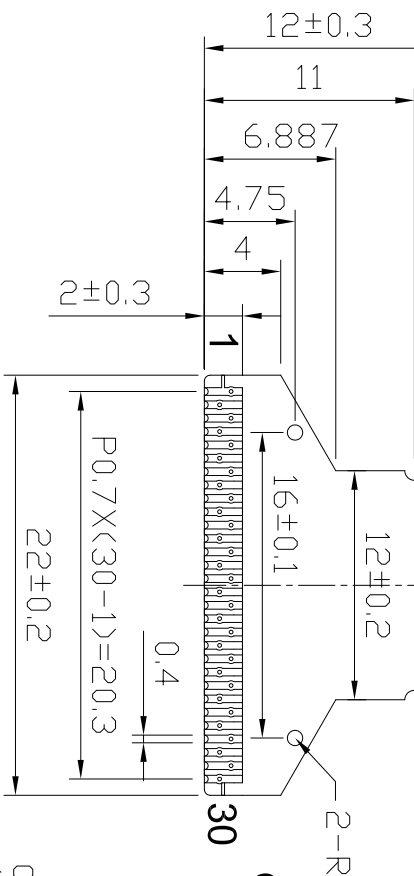
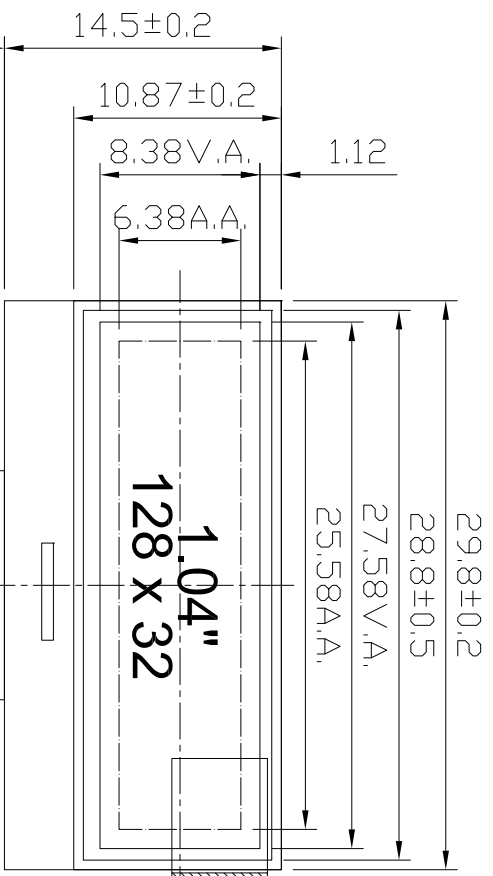
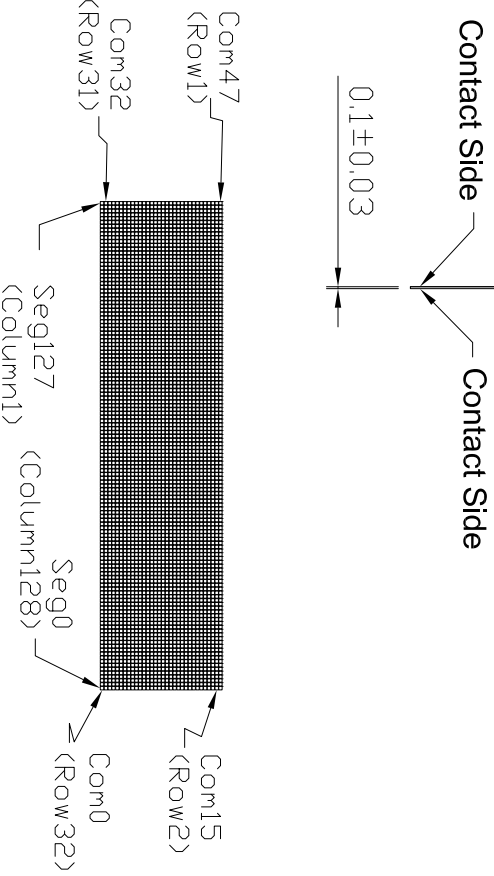


REV	DESCRIPTION:	DATE
-----	--------------	------



SCALE:10X



PIN	SIGNAL	PIN	SIGNAL
1	NC	16	R/W#
2	C2P	17	E/RD#
3	C2N	18	DB0
4	C1P	19	DB1
5	C1N	20	DB2
6	VBAT	21	DB3
7	NC	22	DB4
8	VSS	23	DB5
9	VDD	24	DB6
10	BS0	25	DB7
11	BS1	26	IREF
12	BS2	27	VCOMH
13	CS#	28	VCC
14	RES#	29	VLSS
15	D/C#	30	NC

- Feature:
1. Display mode: Passive Matrix-OLED / Negative
  2. Color: White
  3. Viewing Direction: Free
  4. Interface: 8-bit Parallel, 3 or 4-SPI, IIC
  5. Driver : SSD1306 VDD: 3.3 V
  6. Operating temp. : -40°C~+70°C
  7. Storage temp. : -40°C~+80°C
7. ROHS Compliant

Model Name: GDO12832G01-W		UNLESS OTHERWISE STATED	
APPROVALS	DATE	TOLERANCES: XXX .40/20	
DWN: Lh	2017.10.23	X.X .#0.10	
CHK:		SIZE: A4	UNIT: mm
APP:			SCALE: 1:1

**Xiamen Ocular Optics CO., LTD.**

