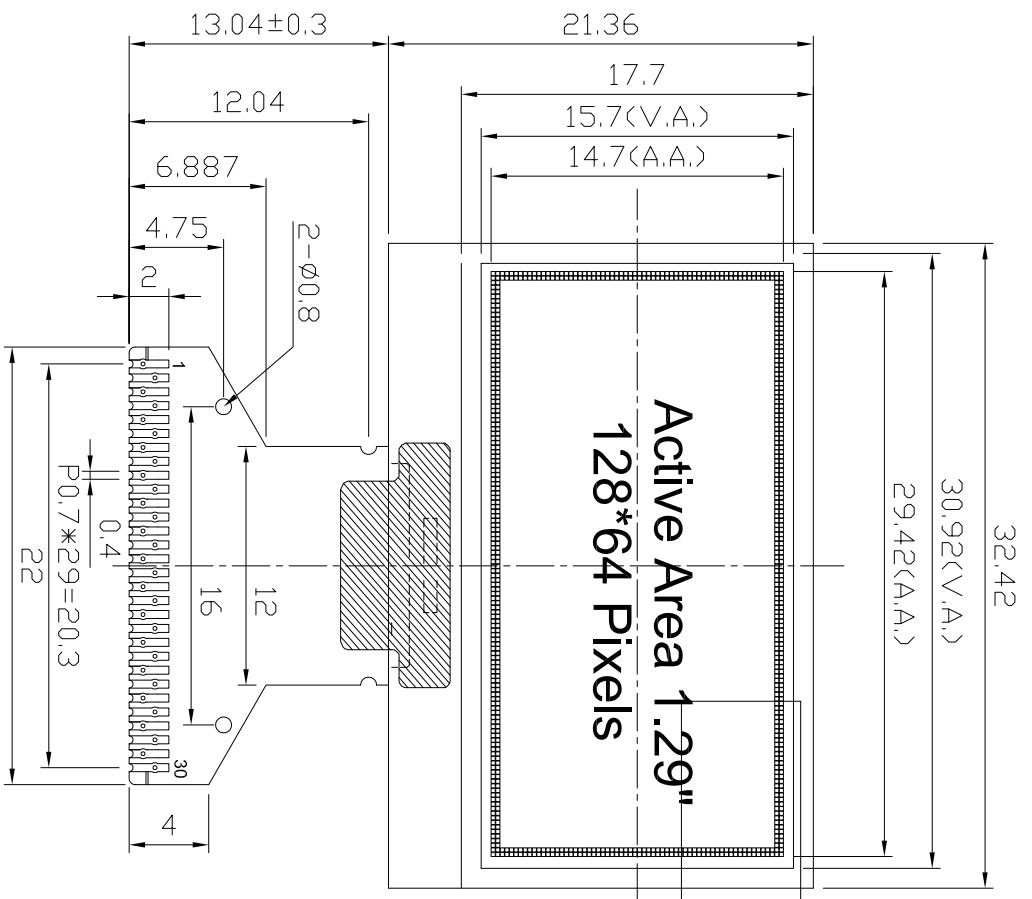
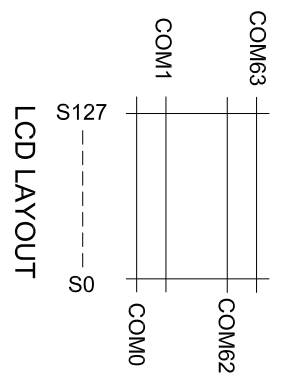
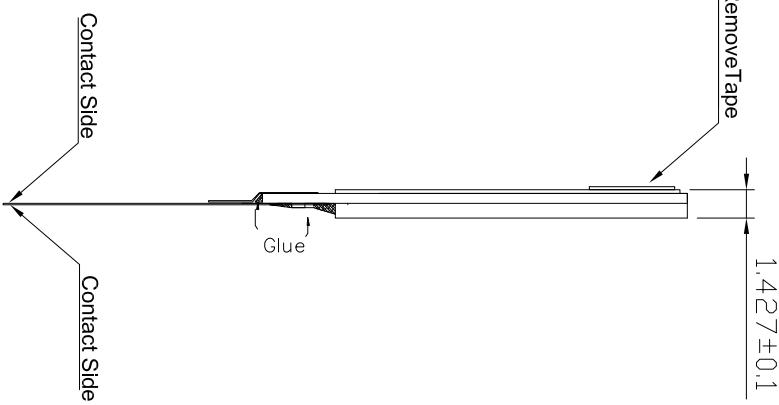
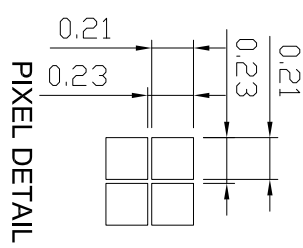


REV	DESCRIPTION:	5	DATE	6
-----	--------------	---	------	---



- Feature:**
1. Display mode: Passive Matrix-OLED / Negative
 2. Color: White
 3. Viewing Direction: Free
 4. Interface: 8-bit Parallel, 3 or 4-SPI, IIC
 5. Driver : SSD1315 VDD: 3.3 V
 6. Operating temp. : -40°C~+70°C
 7. Storage temp. : -40°C~+80°C
7. ROHS Compliant



PIN	SIGNAL	PIN	SIGNAL
1	NC(GND)	16	R/W#
2	G2P	17	E/RD#
3	G2N	18	DB0
4	C1P	19	DB1
5	C1N	20	DB2
6	VBAT	21	DB3
7	VSS	22	DB4
8	VSS	23	DB5
9	VDD	24	DB6
10	BS0	25	DB7
11	BS1	26	I/REF
12	BS2	27	VCOMH
13	CS#	28	VCC
14	RES#	29	V1SS
15	D/C#	30	NC(GND)

Model Name: GDO12864B02-W		UNLESS OTHERWISE STATED		SCALE:	
APPROVALS	DATE	TOLERANCES:		SIZE:	A4
DWN: Lih	2019.06.14	XXX .40.20		UNIT:	mm
CHK:		X.X .#0.10		Page:	1-1
APP:					

Xiamen Ocular Optics CO., LTD.

A 1 2 3 4 5 6

A B C D