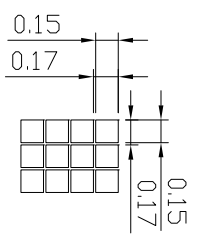
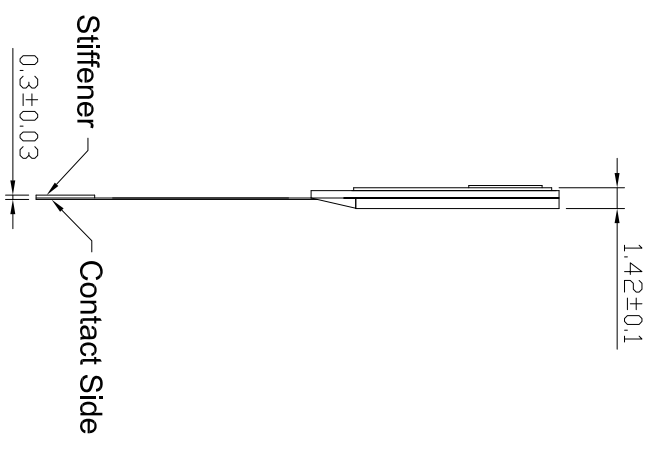
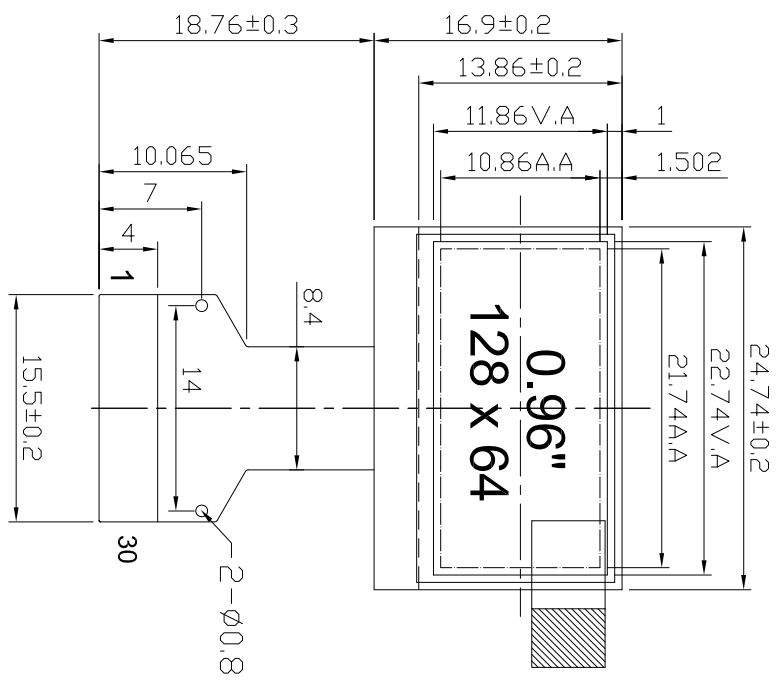
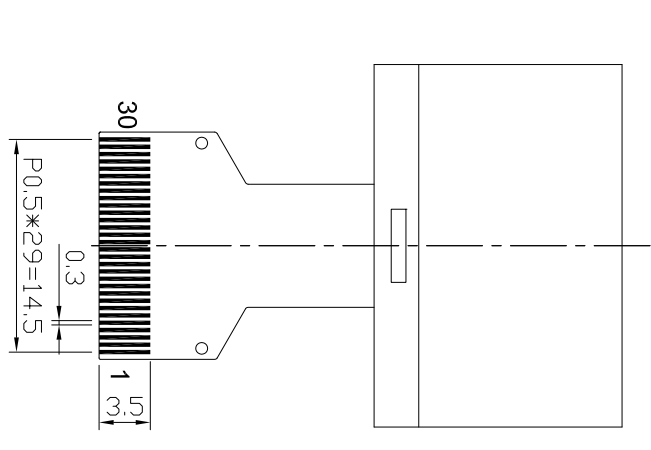


REV	DESCRIPTION:	5	DATE	6
-----	--------------	---	------	---



SCALE:10X



Model Name: GOM12864K02-W

UNLESS OTHERWISE STATED TOLERANCES: XX.X ±0.20, X.X ±0.10

PIN#	SIGNAL	PIN#	SIGNAL
1	NC(GND)	16	NC
2	G2P	17	NC
3	G2N	18	DB0
4	C1P	19	DB1
5	G1N	20	DB2
6	VBAT	21	NC
7	NC	22	NC
8	VSS	23	NC
9	VDD	24	NC
10	BS0	25	NC
11	BS1	26	IREF
12	NC	27	VOOMH
13	CS#	28	VCC
14	RES#	29	VSS
15	D/C#	30	NC(GND)

COM63 _____

COM32 _____

COM31 _____

COM0 _____

S127 _____

S0 _____

LCD LAYOUT

- Feature:
1. Display mode: Passive Matrix-OLED / Negative
 2. Color: White
 3. Viewing Direction: Free
 4. Interface: 4-SPI, IIC
 5. Driver : SSD1315 VDD: 3.3 V
 6. Operating temp. : -40°C~+70°C
Storage temp. : -40°C~+80°C
 7. ROHS Compliant

Model Name:	GOM12864K02-W	Xiamen Ocular Optics CO., LTD.	
APPROVALS	DATE	SCALE:	
DWN: Lih	2020.03.04	UNLESS OTHERWISE STATED TOLERANCES: XX.X ±0.20, X.X ±0.10	
CHK:		SIZE:	A4
APP:		UNIT:	mm
		Page:	1-1