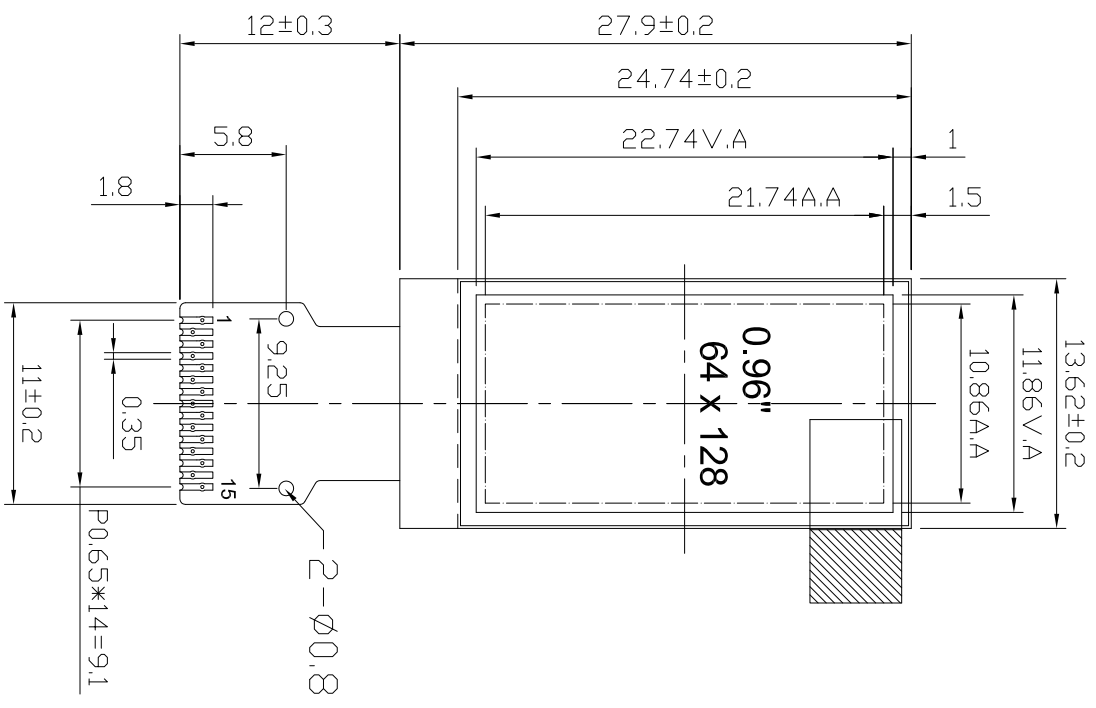
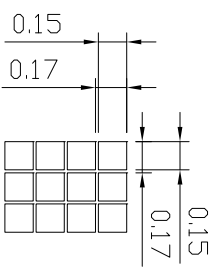
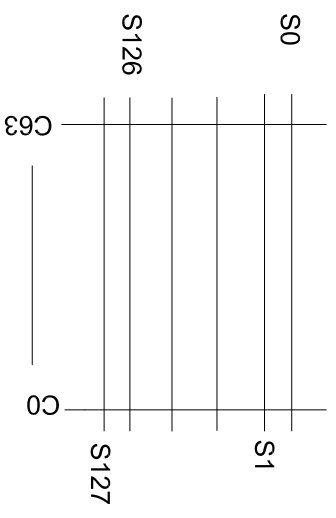
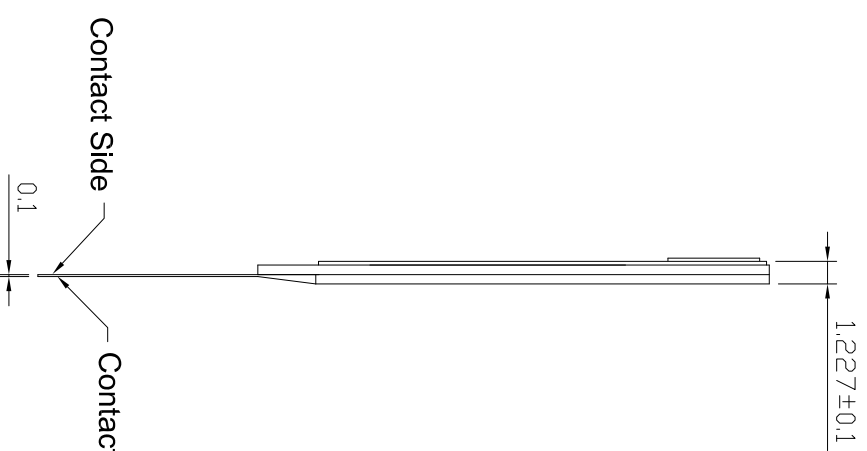


REV	DESCRIPTION:	5	DATE	6
-----	--------------	---	------	---



- Feature:
1. Display mode: Passive Matrix-OLED / Negative
  2. Color: White
  3. Viewing Direction: Free
  4. Interface: 4-SPI
  5. Driver : CH1115 VDD: 3.3 V
  6. Operating temp. : -40°C~+70°C  
Storage temp. : -40°C~+80°C
  7. ROHS Compliant



SCALE:10X

PIN	SIGNAL
1	CP
2	C2N
3	C1P
4	C1N
5	VDD2
6	VSS
7	VDD1
8	CS#
9	RES#
10	D/C#
11	SGLK
12	SDIN
13	IREF
14	VCOMH
15	VPP

Model Name: GDO064128K02-W		UNLESS OTHERWISE STATED		SCALE:	
APPROVALS	DATE	TOLERANCES:		SIZE:	UNIT:
DWN: Lih	2020.03.04	XXX ±0.20	XX.X ±0.10	A4	mm
CHK:					Page:
APP:					1-1

**Xiamen Ocular Optics CO., LTD.**